

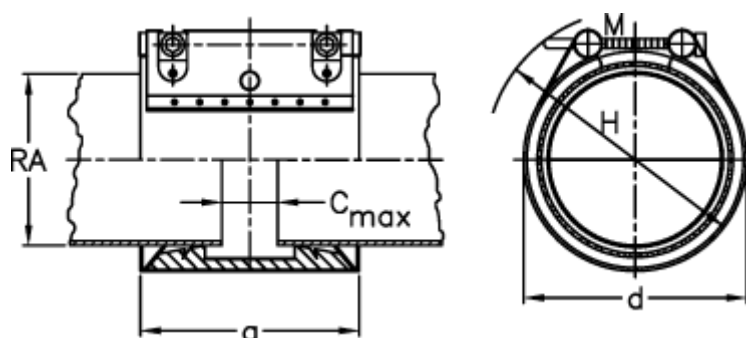
# Data Sheet



Article number: 025848460110

Description: Norma Connect pipe coupling  
COMBI GRIP GL W2 Ø114,3/110 NBR 16 bar

## Measures



a = 98.0

C max with insertion band = 25

d = 130

H = 150

M (screw) = M10

Nominal pressure (bar) = 16

RA = 114,3/110,0

RA min-RA max metal = 113,0-116,0

RA min-RA max plastic = 108,0-111,0

Weight a piece = 1.8